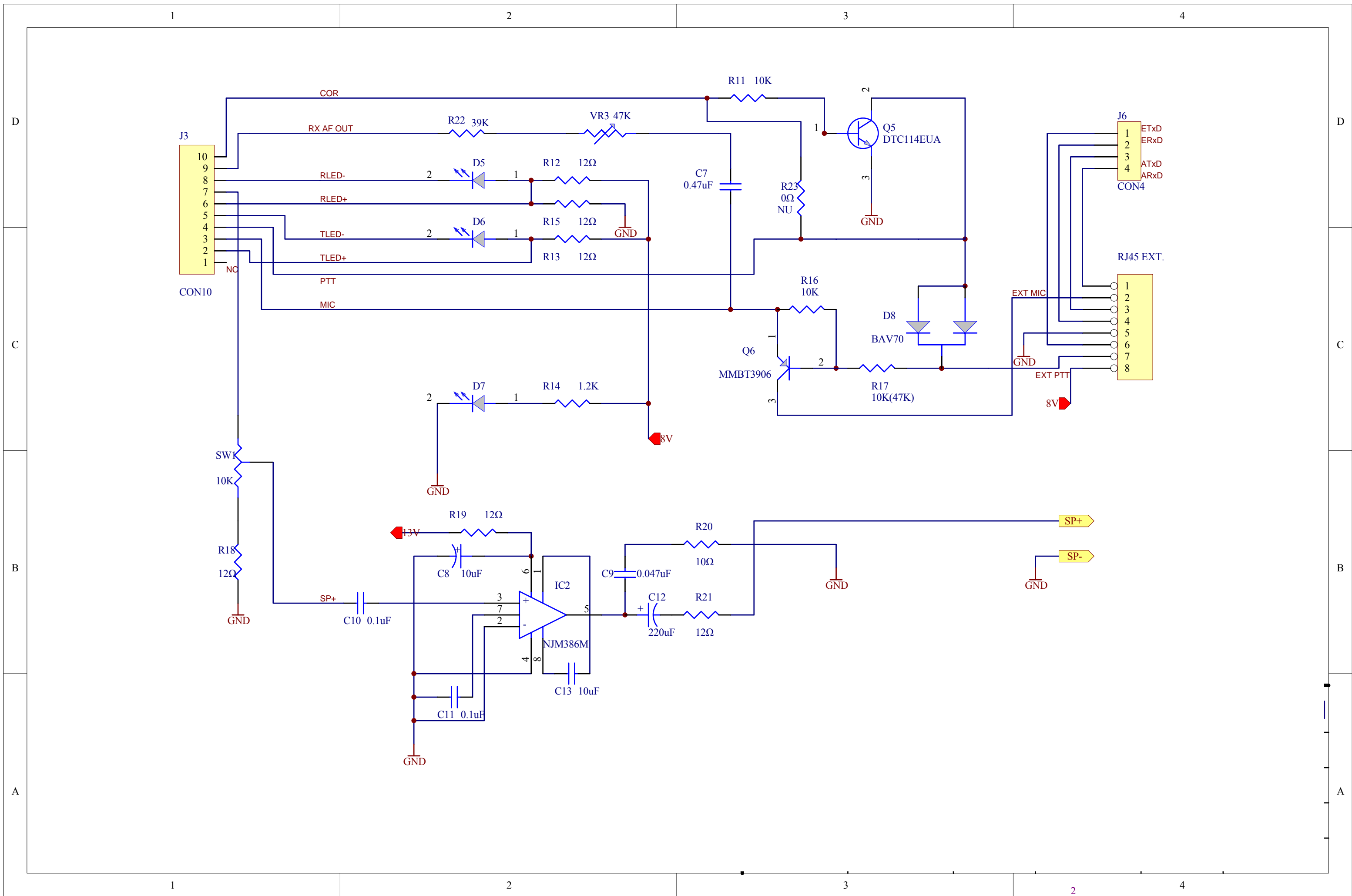
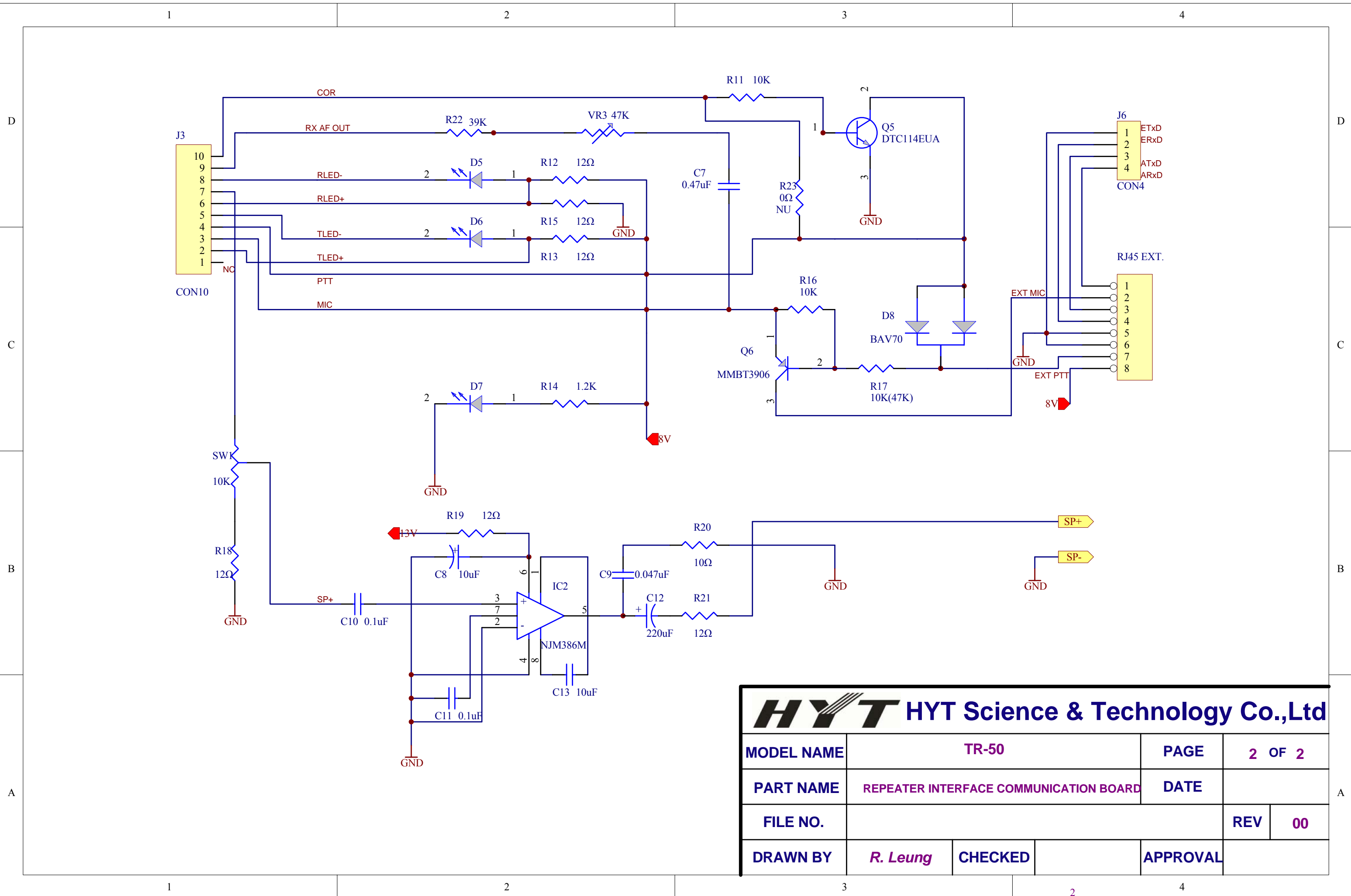


# TR-50 Schematic Diagram (RIC)

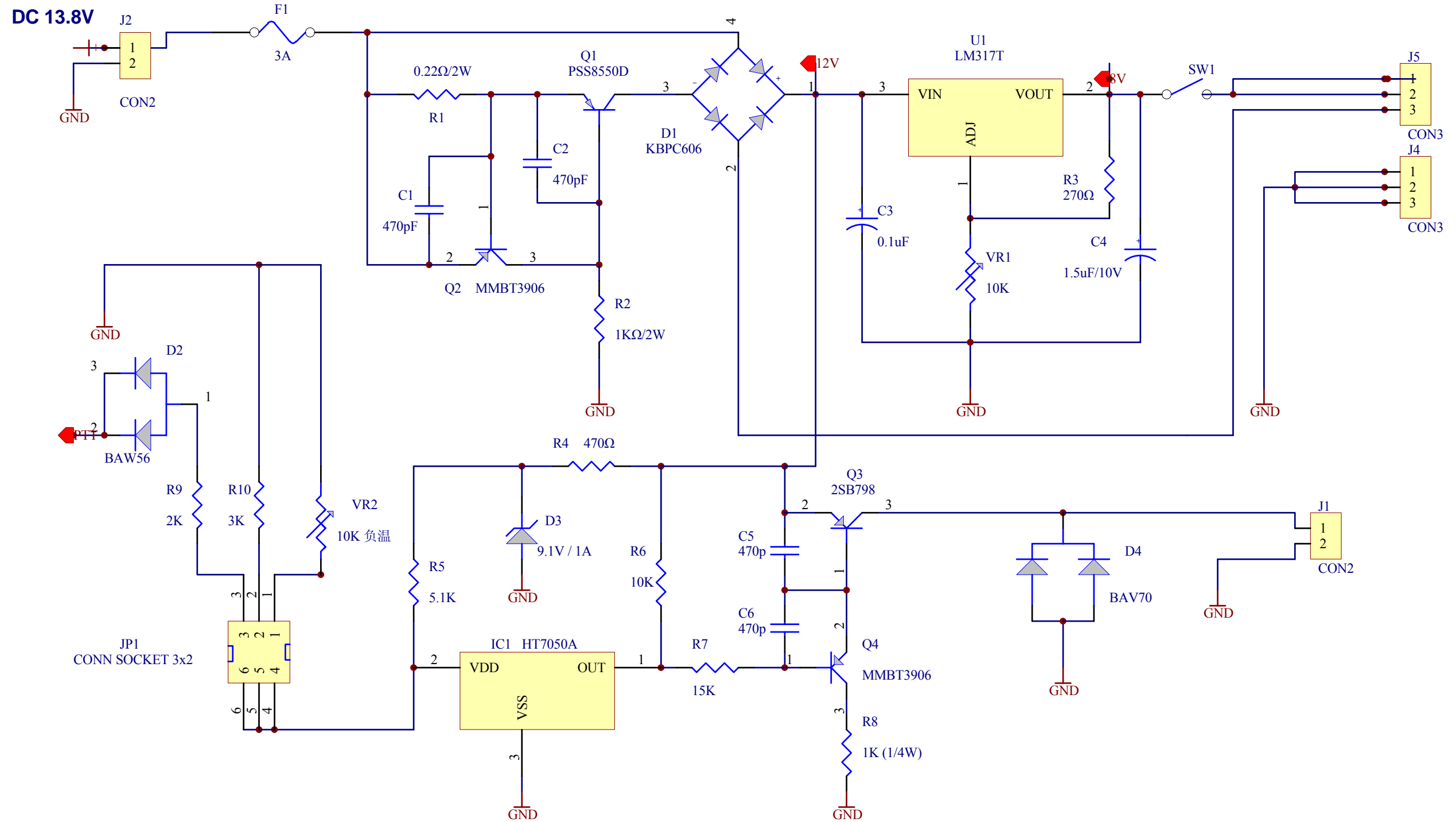


# TR-50 Schematic Diagram (RIC)



<b>HYT</b> HYT Science & Technology Co.,Ltd			
MODEL NAME	TR-50	PAGE	2 OF 2
PART NAME	REPEATER INTERFACE COMMUNICATION BOARD	DATE	
FILE NO.		REV	00
DRAWN BY	R. Leung	CHECKED	APPROVAL

# TR-50 Schematic Diagram (POWER MANA)



<b>HYT</b> HYT Science & Technology Co.,Ltd			
MODEL NAME	TR-50	PAGE	1 OF 2
PART NAME	POWER MANAGEMENT BOARD	DATE	June, 2004
FILE NO.		REV	00
DRAWN BY	R. Leung	CHECKED	APPROVAL

# TR-50收发机 Schematic Diagram

