

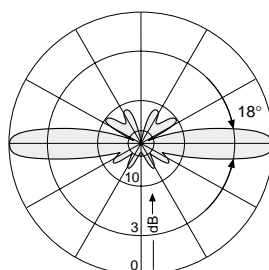
Omni 450 360° 7dBi

Type No.	K 75 16 21 1	K 75 16 22 1	K 75 16 23 1
Input	N female		
Frequency range	406 – 430 MHz	420 – 449 MHz	440 – 470 MHz
VSWR	< 1.5		
Gain	7 dBi		
Impedance	50 Ω		
Polarization	Vertical		
Max. power	70 Watt (at 50 °C ambient temperature)		
Weight	1.6 kg	1.55 kg	1.5 kg
Wind load	61 N	59 N	56 N
	(at 150 km/h)		
Max. wind velocity	200 km/h		
Packing size	2100 x 110 x 100 mm		
Length	2020 mm	1960 mm	1870 mm

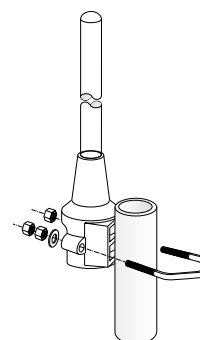
Material: Radiator: Brass.
Radome: Fiberglass, dia. 21 mm, colour: Grey.
Base: Aluminum.
Mounting U-bolt and all screws and nuts: Stainless steel.

Mounting: The antenna can be attached in two ways with the supplied mounting kit:
1. On the tip of any tubular mast of 40 – 56 mm dia. (connecting cable runs inside the mast).
2. Laterally at the tip of any tubular mast of 20 – 56 mm dia. (connecting cable runs outside the mast).

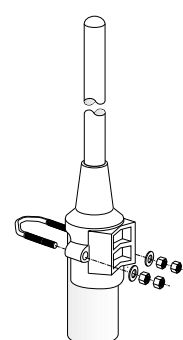
Grounding: All metal parts of the antenna including the inner conductor are DC grounded.



Vertical Pattern



Laterally at the tip of a tubular mast



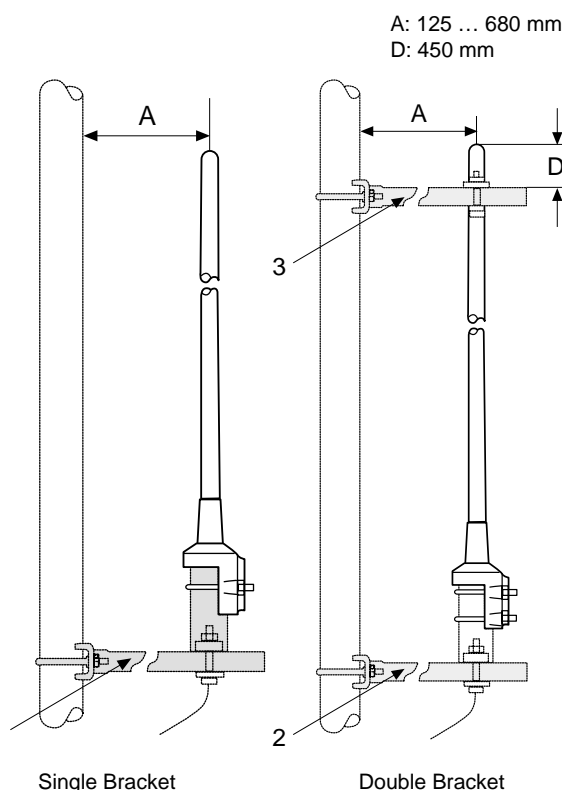
On the tip of a tubular mast

Side-mounting Brackets for Omnidirectional Antennas

If attached to the tip of the mast, these antennas radiate omni-directionally in the horizontal plane. However, lateral attachment is also possible using a bracket. Various radiation patterns can be achieved, depending on the spacing and the mast diameter.

Bracket with adjustable spacing A

Model	Single bracket Item 1	Double bracket Item 2 and 3
Type No.	K 61 33 11	K 61 33 21
Weight	6.6 kg	13.7 kg
Wind load	45 N (at 150 km/h)	100 N (at 150 km/h)
Suitable for	antennas with clamp attachment to tubular masts of 20 – 54 mm diameter	K 75 17 2 .. 722 788 728 889 721 580 720 842
Spacing A:		
Minimum		125 mm
Maximum		680 mm
Attachment	To tubular masts of 55 – 105 mm diameter with supplied mounting U-bolts	
Material	Hot-dip galvanized steel. All bolts and nuts: Stainless steel.	



Bracket with fixed spacing A

Type No.	K 61 33 3	716 192	K 61 33 4	713 645
Weight	2 kg	7 kg	3.2 kg	8.5 kg
Spacing A:	500 mm		1000 mm	
Suitable for antennas with a maximum wind load of	215 N (at 150 km/h)		85 N (at 150 km/h)	
Suitable for antennas	with clamp attachment to tubular masts of 20 – 54 mm diameter			
Attachment	with supplied clamps on mast diameters: 55 mm - 105 mm - 55 mm - 105 mm - 105 mm 245 mm 105 mm 245 mm			
Material	Hot-dip galvanized steel. All bolts and nuts: Stainless steel.			
Wind load	36 N (at 150 km/h)		60 N (at 150 km/h)	

