

# PT6700 Frequent Malfunction Instruction

## 1. Radio overview

### ① LED Indicator

Lights red while transmitting; lights green while receiving; flashes red when the radio is in low power.

### ② On/Off/Volume Control Knob

Turn clockwise until you hear a click to turn on the radio.  
Turn counterclockwise until you hear a click to turn it off.  
Rotate it to adjust the volume after turning on the radio.

### ③ Channel Selector Knob

Rotate the knob to select channel 1-16.

### ④ PTT (Push-To-Talk) Button

Press and hold the PTT button and speak into the microphone,  
your voice can be sent to the recipient.  
Release the PTT button to receive.

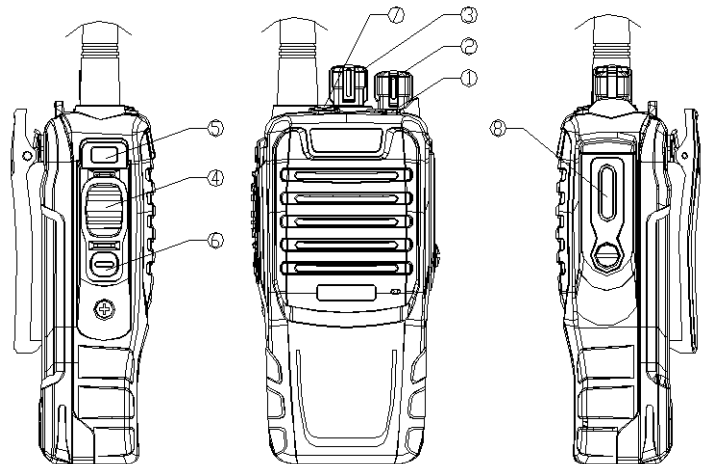
### ⑤ Side Button 1 (programmable button)

### ⑥ Side Button 2 (programmable button)

### ⑦ Top Button (programmable button)

### ⑧ External Speaker/Microphone Jack Cover

Remove the cover; you will see the external speaker/microphone jack. External speaker/microphone can be connected to the radio through this jack.



## Radio Overview





Battery Latch



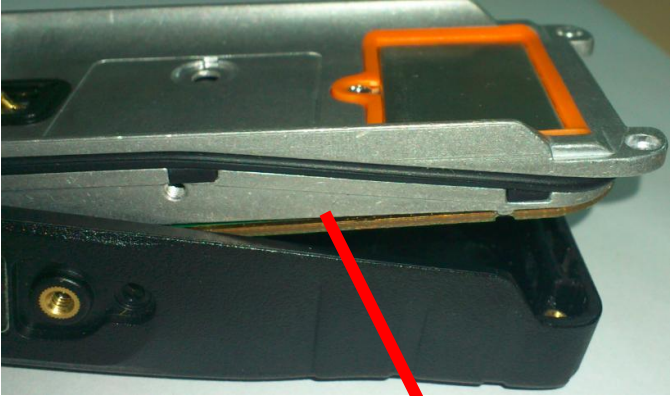
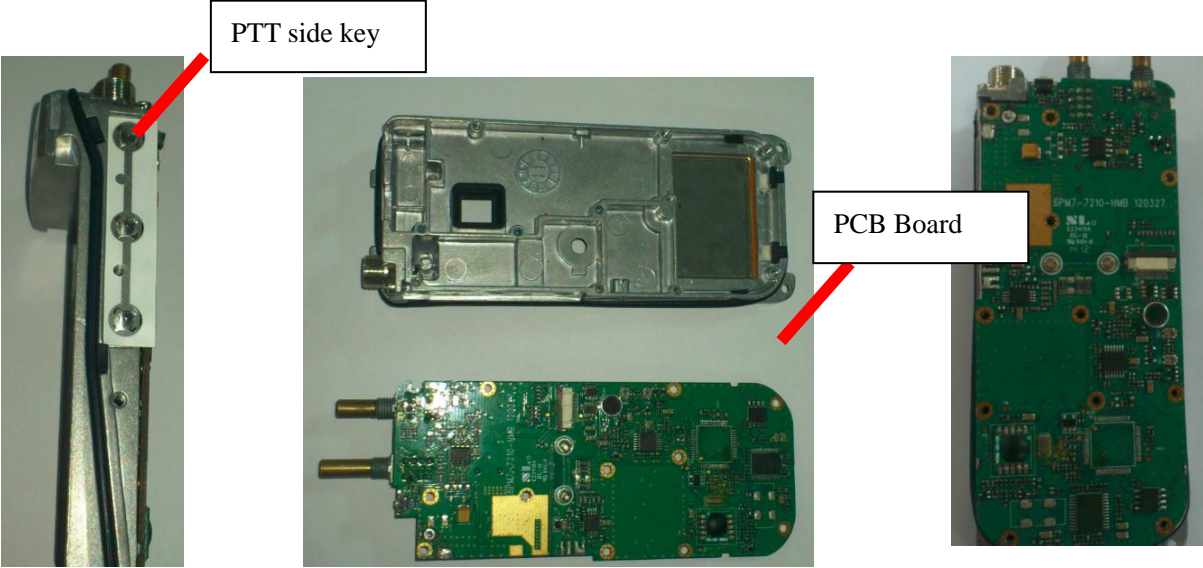
Take off the knob



Aluminum Chassis



# PCB Board



Push the PCB forward till the end, then press the PCB in front case



# 2. Disassembly & Re-assembly

## 1) Disassembly the main unit

1 . turn off the power

2 . disassembly the battery

(1) disassembly the battery latch

(2) disassembly the belt clip

3 . disassembly the antenna

4 . disassembly front case from the aluminum



## 2) Re-assembly the main unit

1.re-assembly the battery

2. re-assembly the antenna

3.re-assembly the belt clip

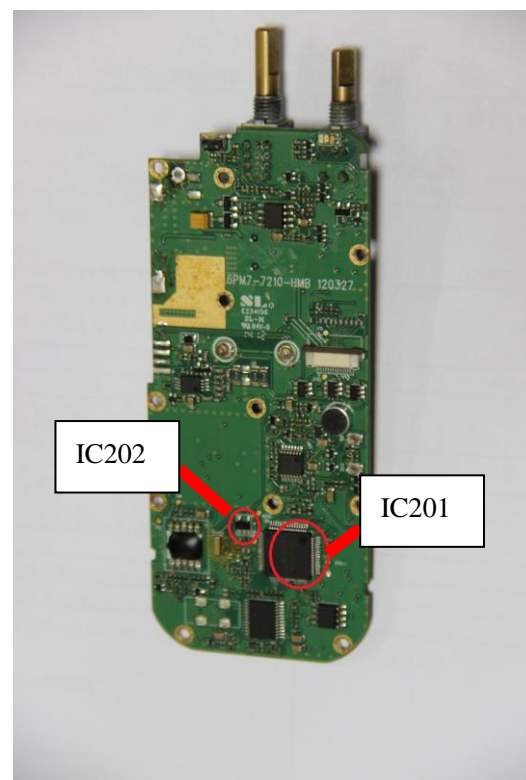
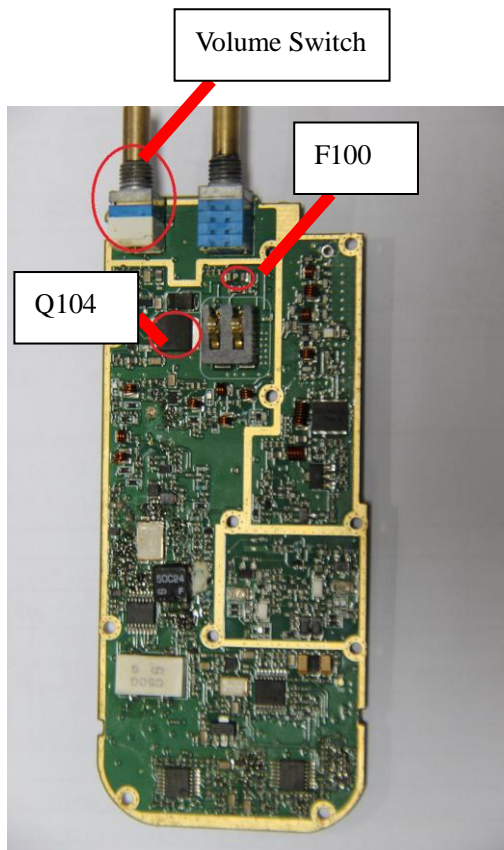


# 3. Trouble shooting

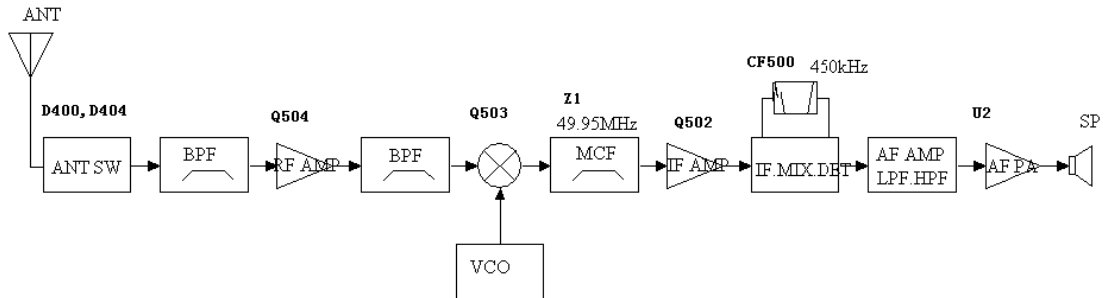
## (1) Can not power on

Solution:

- 1) Check whether battery is full and battery connector is well connected with main unit.
- 2) Check whether fuse of power supply has been burned
- 3) Check whether power/volume control switch is broken
- 4) Check whether F100(fuse) is broken
- 5) Check whether Q104(regulator voltage IC) is broken
- 6) Check whether IC202 (reset IC) is broken
- 7) Check whether CPU(IC201) is broken

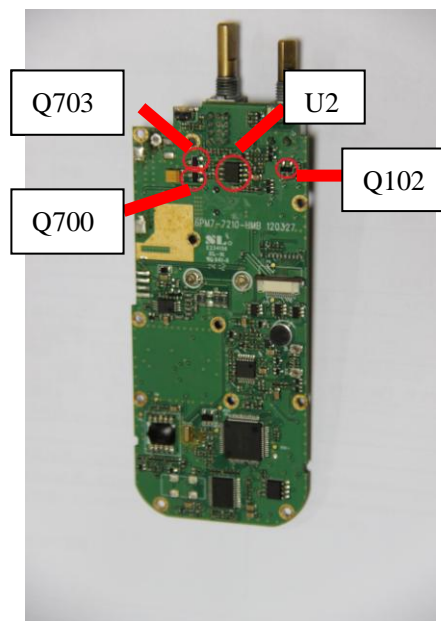
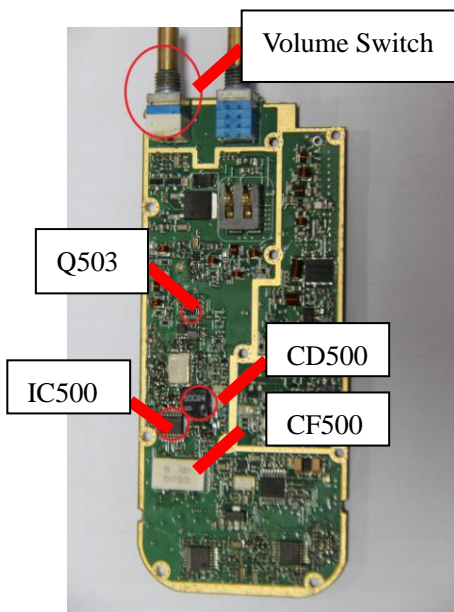


## (2) No/Low RX



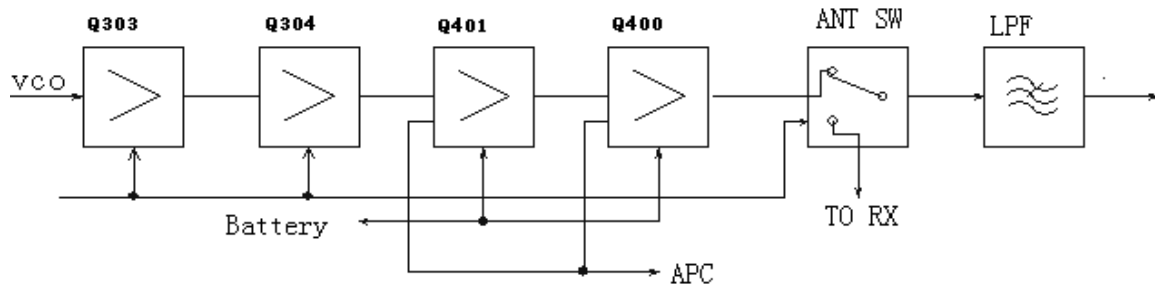
### Solution:

- (1) Check whether Q102 output voltage is 5V
- (2) Check whether Q503 is broken
- (3) Check IC500 the 16pin input voltage
- (4) Check whether CF500 (450G) is broken
- (5) Check whether CD500 is broken
- (6) Check whether volume switch is broken
- (7) Check whether U2 is broken
- (8) Check whether Q700、Q703 is broken
- (9) Check whether speaker is broken

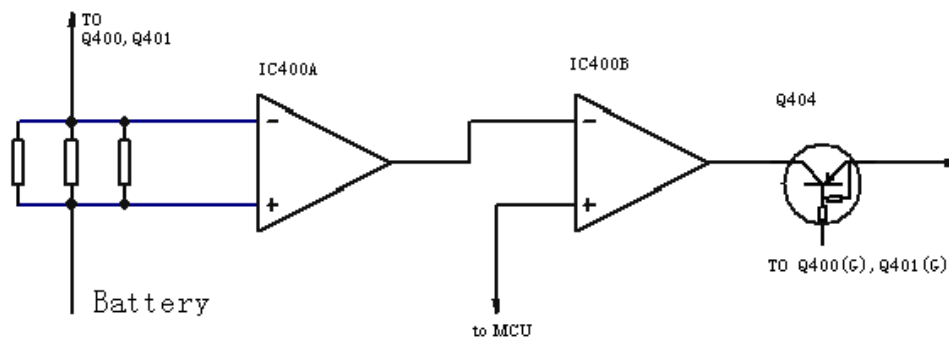


### (3) No/Low Power

#### TX Circuit

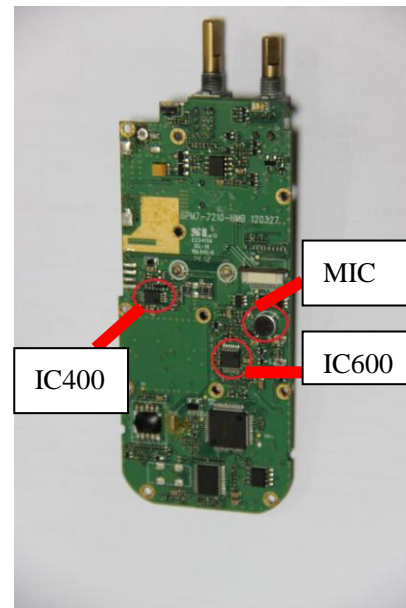
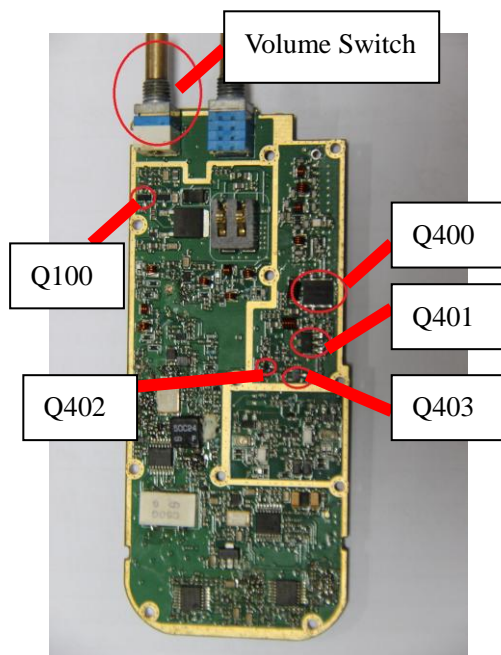


#### APC Circuit



#### Solution:

- 1) Check whether power/volume control switch is broken
- 2) Check whether Q100 output voltage is 5V
- 3) Check whether Q400, Q401, Q402, Q403 are broken
- 4) Check whether IC400(APC circuit) is broken
- 5) Check whether MIC is broken
- 6) Check whether IC600 is broken



#### (4) Lockout

##### Solution:

- 1) Check whether sticker frequency is the same to PC software
- 2) Check whether Q103 (5C) is broken
- 3) Check whether IC100 (regulator voltage IC) is broken
- 4) Check whether X300(16.8MHz) is broken
- 5) Check whether Q305、 Q306
- 6) Check whether IC300 is broken

