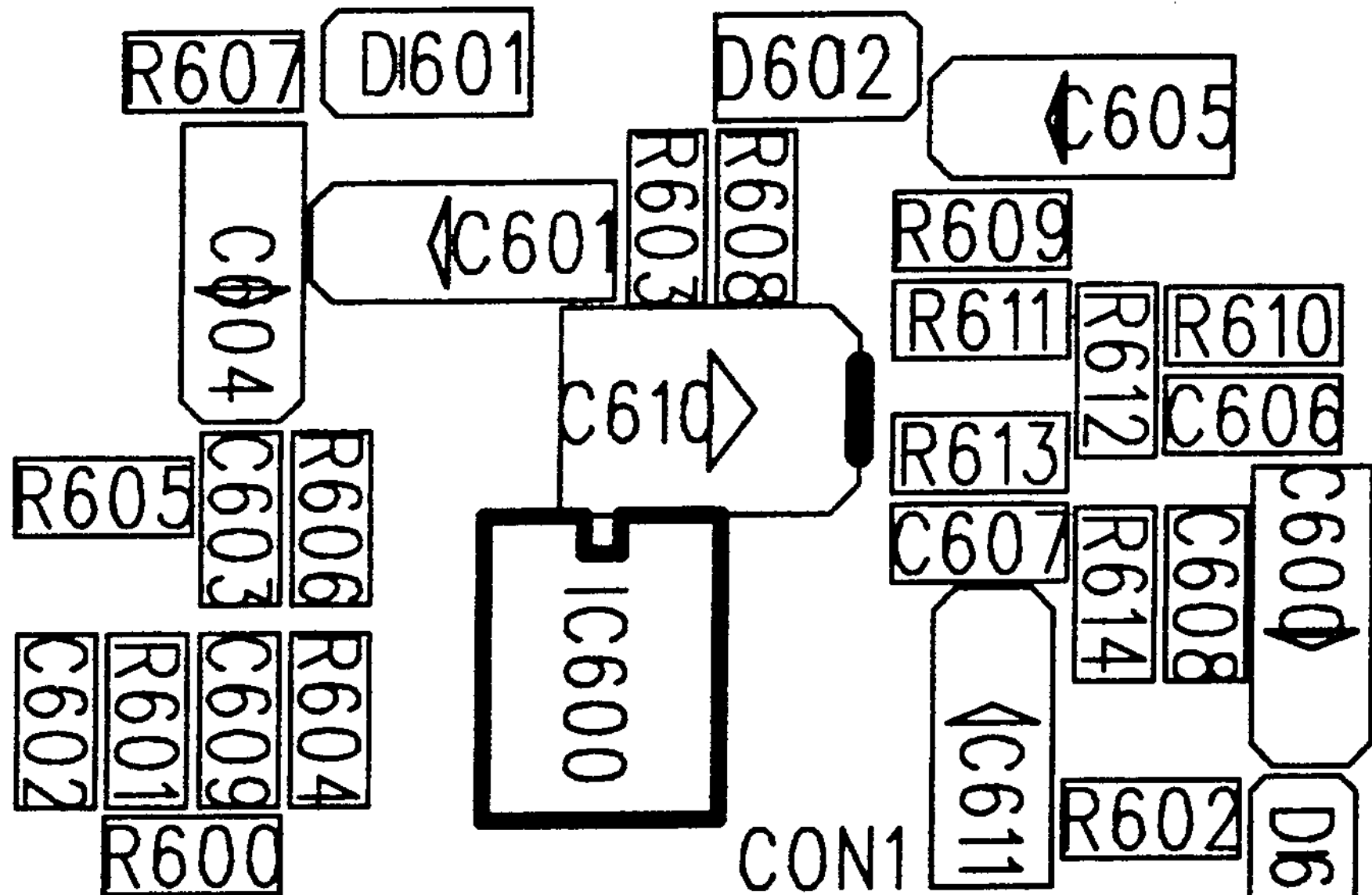


FM-Sub-PCB for AE 5800



- ①
- ②
- ③
- ④
- ⑤
- ⑥