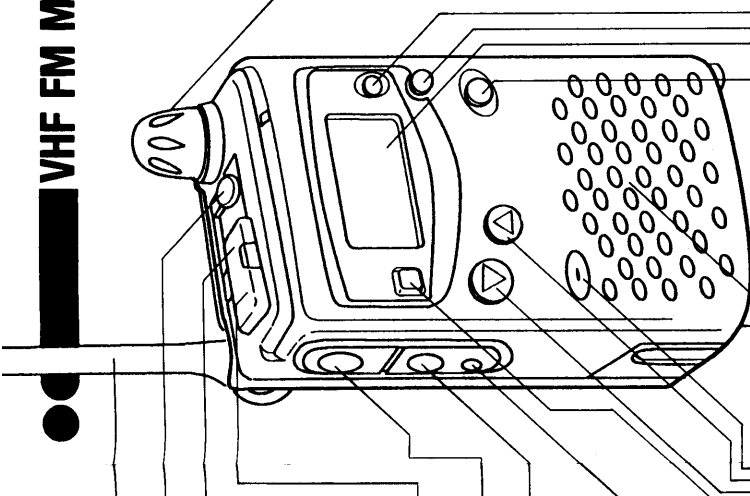


VHF FM MINI POWER TRANSCIVER

DJ-S11

■ FEATURES

- Telescopic Antenna I**
Rotate, stand up and extend fully when operating.
- External Power Terminal I**
Do not connect any power supply when dry cells are installed in the radio.
If NiCd batteries are installed, charging can be done through this terminal using the EDH-18, EDC-7879 charger, or an external regulated 5.5V DC (negative ground).
(Do not use any other types of charger or else the radio will be damaged and warranty will be void.)
- External Microphone Jack I**
Connect to this jack when using an optional microphone (e.g. EMS-9, EME-12, etc.)
- External Speaker Jack I**
Connect to this jack when using an optional speaker (e.g. EMS-9, EME-12, etc.)



- PTT I**
Press-to-talk switch.
- MONITOR I**
Press this switch to unmute the preset squelch and monitor weak signals. Press and hold the F-key and press this key to lock/unlock the keys to avoid unintended key entries. ("L" is displayed during the keylock.)
- Function (F) I**
Press and hold this key and press another key to activate the secondary function. Press and release this key quickly to change the blinking frequency digit; the blinking digit can be changed with the UP/DOWN keys.
- V/M/W/M I**
Changes between VFO and memory channel. To program a memory channel, (1) in the VFO mode, press and hold the F-key and press this key, (2) Use the UP/DOWN key to select a memory channel number, (3) Press this key again to memorize the displayed frequency (including the offset and tone encoder) to that channel. Memory channels available are: c, 0 - 19.
- DOWN/step I**
Press this key to change frequency/channel downwards. Press this key while pressing the F-key to enter programming mode for the CTCSS encoder. Then press this key to change the encoding tone frequency. Press the F-key with this key again to the display/erase the in the LCD that turns on/off the encoder. Press PTT to exit.
Pressing the UP or DOWN key while transmitting will emit 1750Hz tone or the alerting ring to raise the attention of the called party. This sound can be toggled between 1750Hz or the alerting ring by press and holding the CALL key (see below) and turning on the power. Press the UP or DOWN key for a few seconds to start scanning.
- UP/step I**
Press this key to change frequency/channel upwards. Press this key while pressing the F-key to enter programming mode for the channel step. Press this key to change the channel step. Press PTT to exit.
- Microphone I**
Speaker I
- Power switch and Volume I**

■ SPECIFICATIONS:

- < General >
 - Frequency range / 144.000 - 145.995MHz (E), 144.000 - 147.995 MHz (T) • Modulation / F3E • DC power source / 3.6 - 4.5V (internal battery), 5.5V (external regulated source) • Current TX / approx. 260mA @ 4.5V DC, RX / approx. 33mA (squelched) • Dimensions / 55(W) x 100(H) x 28(D)mm without projections • Weight / approx. 185g (with three AA drycells)
- < Transmitter >
 - Output Power / approx. 340mW @ 4.5V DC • Modulator / Variable reactance • Max. deviation / ± 5kHz
- < Receiver >
 - Configuration / Double conversion superheterodyne • I.F. / 1st: 23.05MHz / 2nd: 450kHz • Sensitivity / better than - 15dBμ (12dB SINAD) • AF output / not less than 100mW (10% distort. @ 80)

ALINCO, INC.

Head Office: "TWIN 21" MID Tower Building 23F
1-61, 2-Chrome, Shiroimi, Chuo-ku, Osaka 540, Japan
Phone: 06-946-8150 Fax: 06-946-8175 Telex: 630886
E-mail: 101243.1446@compuserve.com
PS0261
Printed in Japan

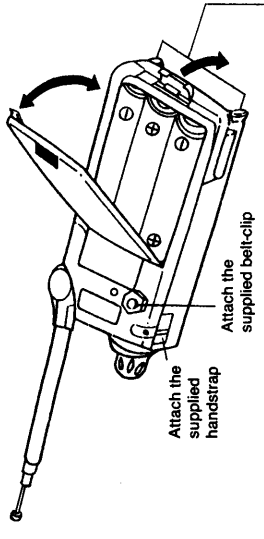
■ OTHER FUNCTIONS

- **Courtesy Beep:** A short beep is emitted on your transmitting signal upon each release of the PTT key, to let the other party "go ahead" and talk. To toggle on this function, press and hold the UP key and turn on the power. To toggle off, do the same with the DOWN key.
- **Key Stroke Beep Sound:** The beep heard with each stroke of keys can be toggled on/off, by pressing and holding the MONITOR key and turning the power on.
- **Channel Display Mode:** Only the memory channel number (and not the frequency) is displayed. If your operation is limited on your "usual" channels only, this setting may be useful. This mode can be entered/exited by press/holding the V/M key and turning the power on.

■ OPTIONS

- Battery Charger..... MW18 (220V AC input)
- Headset with VOX..... EME-12 (Earpad type)
- Speaker Microphone..... EME-13 (Earphone type)
- Earphone Mic..... EMS-9
- Soft Case..... EME-4
- Car lighter DC cable with voltage conversion to 5.5V DC..... ESC-27
- Mobile bracket..... EDH-18
- NiCd battery-pack..... EBP-25N
- Battery Charger..... EDC-79 (220V AC input)
- Battery Charger..... EDC-78 (120V AC input)

Lift the bottom tab and lift the battery-case cover. Insert three AA drycells or NiCd battery cells here, close, and lock with the bottom tab.



■ DISPLAY

- (A) "M" is displayed continuously on a programmed memory channel. The "M" flashes on a memory channel not yet programmed.
- (B) Memory channel number.
- (C) Frequency (and other parameters when programming functions)
- (D) "BUSY" appears upon receiving a signal.
- (E) S-meter/RF output power meter
- (F) Auto Power Off enabled
- (G) Low Battery Indicator (Flashes when needs replacement or charge)
- (H) Low Power Output mode indicator
- (I) Alarm function ON
- (J) Offset shift direction
- (K) CTCSS tone encoder ON

■ QUICK REFERENCE CHART

Condition Key	Pressed while F is pressed	Pressed while F is pressed	Pressed while F is pressed
F	if released quickly, freq. change by digits	keylock/unlock	Press and hold and turn the power on
MONI	unmutes squelch	reset	beep on/off
PTT	transmits	Mem. write mode: Select CH by UP/DOWN key, & press V/M to write.	Channel Indication Mode
V/M	VFO ← → Memory	channel step	Courtesy beep ON
UP	freq./mem up (scans if pressed a while) (if pressed with PTT, emits alert tone.)	tone freq. change	Courtesy beep OFF
DOWN	freq./mem down (scans if pressed with PTT, emits alert tone.)	alarm on/off	aler/1750Hz
CALL	call channel	offset programming	
SCAN	scan start With PTT, toggles power Hi/Low	Auto Power Off	change lamp mode
LAMP	lamp on/off		

Copyright © 1996 Alinco, Inc., Osaka, Japan. All rights reserved. No part of this manual may be reproduced, copied, translated, or transcribed in any form or by any means without the prior written permission of Alinco, Inc. Names of products used in this manual are for identification or description purpose only and may be trademarks or registered trademarks of their respective company.

*Specifications and information found in this document are subject to change without notice. Choice of NiCd battery is at user's risk.

■ СВОДНАЯ ТАБЛИЦА ДЛЯ ПОЛЬЗОВАТЕЛЯ

Кнопка	Нажатие на кнопку	Нажатие на кнопку при нажатой кнопке F	Включение питания при нажатой кнопке
F (функция) "Function"	изменение скорости из разряда частоты (при коротком нажатии)	возврат к предыдущим установкам	
КОНТРОЛЬ "МОНИ" "MONI"	открытие шумоподавителя	блокировка или разблокировка кнопок	включение или выключение звуковых сигналов
ПЕРЕДАЧА "PTT"	передача		
ЧАСТОТА-ПАМЯТЬ "V/M"	переключение частота — канал	запись в память: вызов каналов по UP/DOWN, нажмите V/M снова.	режим индикации каналов
ВВЕРХ "UP"	увеличение частоты или канала. При длительном нажатии сканирование. При нажатии вместе с кнопкой ПЕРЕДАЧА передается сигнал тревоги	шаг канала	включение зуммера перехода на приём
ВНИЗ "DOWN"	уменьшение частоты или канала. При длительном нажатии сканирование. При нажатии вместе с кнопкой ПЕРЕДАЧА передается сигнал тревоги	изменение частоты тона	выключение зуммера перехода на приём
ВЫБОР "CALL"	вызывной канал	включение-выключение звонка	тревоги ◀▶ 1750Гц
СКАН. "SCAN"	сканирование с кнопкой ПЕРЕДАЧА, большой/малой (Low) мощности	установка сдвига	
ПОДСВЕТКА "LAMP"	включение-выключение подсветки дисплея	отключение автовыключателя	изменение режима подсветки дисплея

■ DJ-S11 VHF手持台使用方法

按键	单独按下	与F键一起使用	按下并开启电源
F	瞬息间的按下即改变频点	重置	
MONI	监听	锁键/开放锁键	Beep 声开/关
PTT	发射		
V/M	VFO与记忆信道转换	编写记忆信道, 使用UP/DOWN键, 信道选择后, 再按V/M键	信道显示与频率显示互换
UP	1. 频率与信道上升 2. 长体为扫描功能 3. 与PTT一起使用发呼叫震铃信号	频率步进级数	Beep 声存储开启
DOWN	1. 频率与信道下降 2. 长体为扫描功能 3. 与PTT一起使用发呼叫震铃信号	CTCSS 载频设定	Beep 声存储开启
CALL	呼叫信道	警号开/关	铃响与1750Hz比导译号互换
SCAN	扫描 与PTT一起使用发射输出互换高/低 (Low)	发射频率设定	
LAMP	背光显示开/关	自动关机设定	改变背光显示模式

■ MODE D'EMPLOI

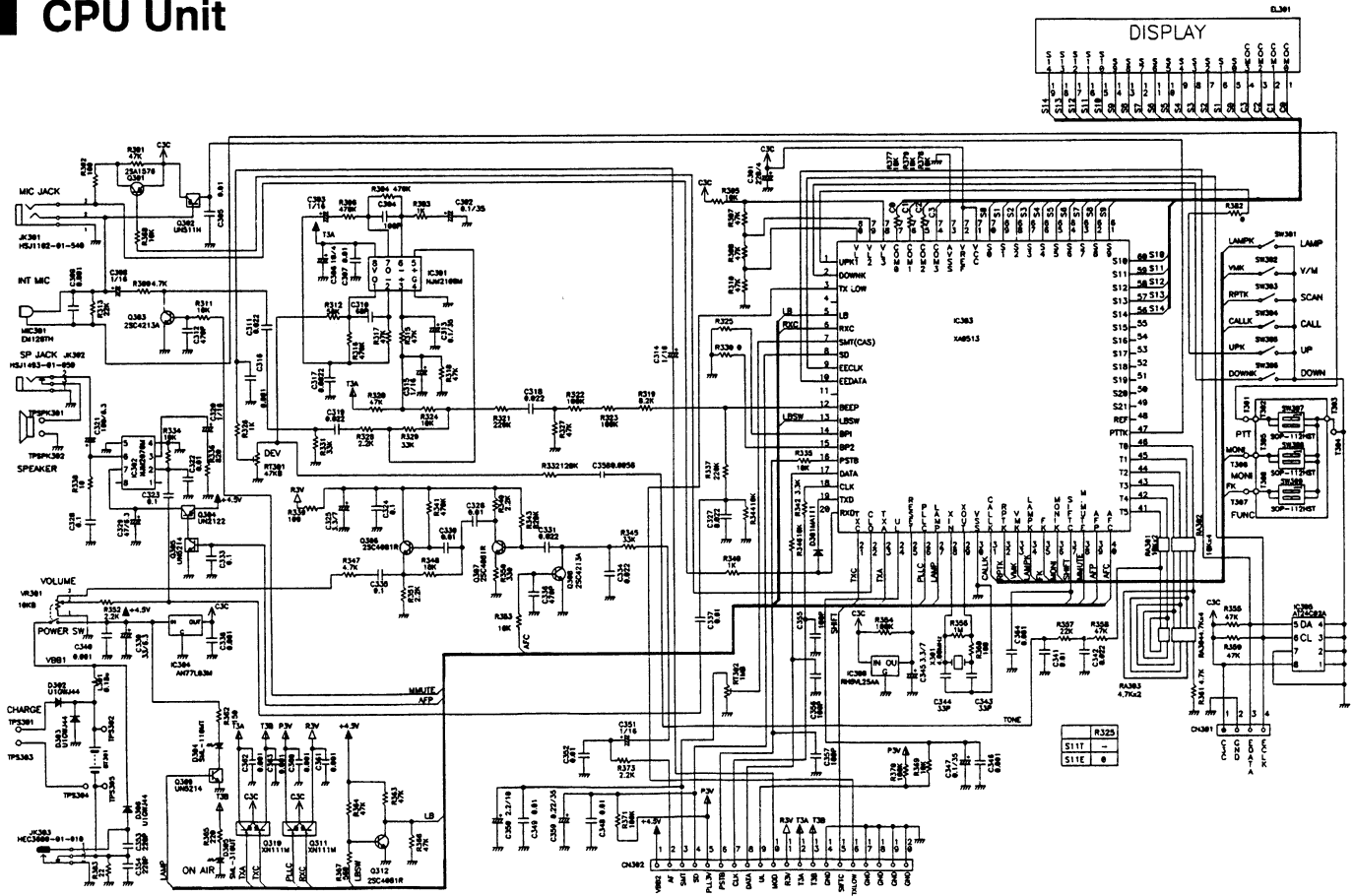
Touche	Pressez seulement	Maintenez F et pressez	Maintenez la touche et remettez l'appareil
F (fonction)	Pressez pour l'instant, pour changer la fréquence en digit de 1MHz		Reinitialisation (Reset)
MONI	Ouvrir le squelch pour écouter les signaux faibles	Verrouillage	désactiver/activer Bip
PTT	émettre		
V/M	VFO (commande crantée) ← → Mémoire	Mise en mémoire: UP/DOWN, et appuyer V/M encore.	mode d'affiche Nr. de Canal
UP	freq./mémoire vers en haut (balayage si maintenu). Si pressée avec PTT, émettra sono d'alerte.	pas des canaux	activer le bip de commence d'écoute
Down	freq./mémoire vers en bas (balayage si maintenu). Si pressée avec PTT, émettra sono d'alerte.	Sélection des tons CTCSS pour codage	désactiver le bip de commence d'écoute
CALL	canal "C"	activer/désactiver l'alarme	changer entre ton-alert et 1750Hz
SCAN	commence balayage (scan start). Avec PTT, changer la puissance (H/L) ou Haut (Hi)/Bas (Low).	Décalage relais	
LAMP	éclairer le LCD	Arrêt automatique (APO)	changer chrono-graph de la lampe

■ OPERACION BASICA

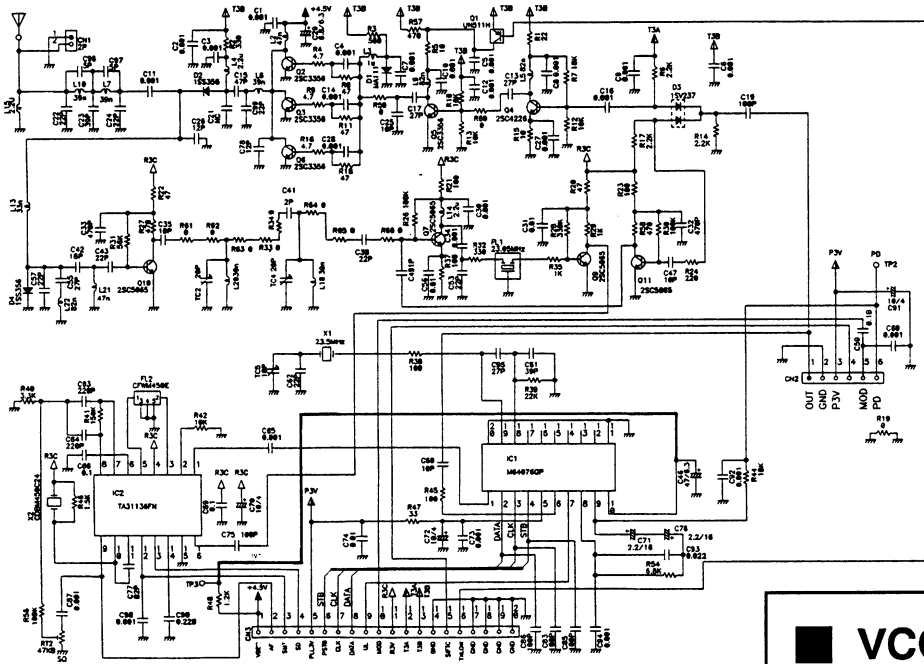
teclado	pulse solamente	empuje cuando F está empujado	empujado está teclado, enciende el radio
F (Función)	Pulse rápidamente para cambiar la frecuencia en digit de 1MHz		re-inicio
MONI	abrir el squelch para escuchar los señales débiles	bloqueo/libre de teclado	tonos de aviso desactivar/activar
PTT	Transmitir		
V/M	VFO (Dial por sintonizar) ← → Memoria	programme la mem.: Elige CH por UP/ DOWN, y empuje V/M otra vez.	modo de indicación del nro. de canal
UP	aumentar el Nr. de freq./mem. (cuando empujado por segundos y si empujado con PTT, transmite el tono de alerta)	paso de sintonía	activar el tono de sintonía
Down	disminuye el Nr. de freq./mem. (cuando empujado por segundos y si empujado con PTT, transmite el tono de alerta)	Selección de subtonos CTCSS	desactivar el tono de sintonía
CALL	canal "C"	activar/desactivar el alarma	cambio tono-alerta/1750Hz
SCAN	comenzar barrido (scan). Con PTT, cambio potencia de salida Hi (Alta)/Low (Baja)	frecuencia de desplazamiento (off-set)	
LAMP	iluminar la pantalla LCD	desconexión automática (APO)	cambio tiempo por iluminar

El marcado CE que aparece en los productos indica que se han certificado de acuerdo con la Directiva EMC 89/336/CEE y la Directiva sobre Bajo Voltaje 73/23/CEE, en los casos en los que les sea aplicable. Los productos satisfacen la Normativa de Compatibilidad Electromagnética: EN 50081, Normativa General sobre Emisiones y Compatibilidad Electromagnética; EN 50082, Normativa General sobre Inmunidad.

CPU Unit



RF Unit



VCO Unit

